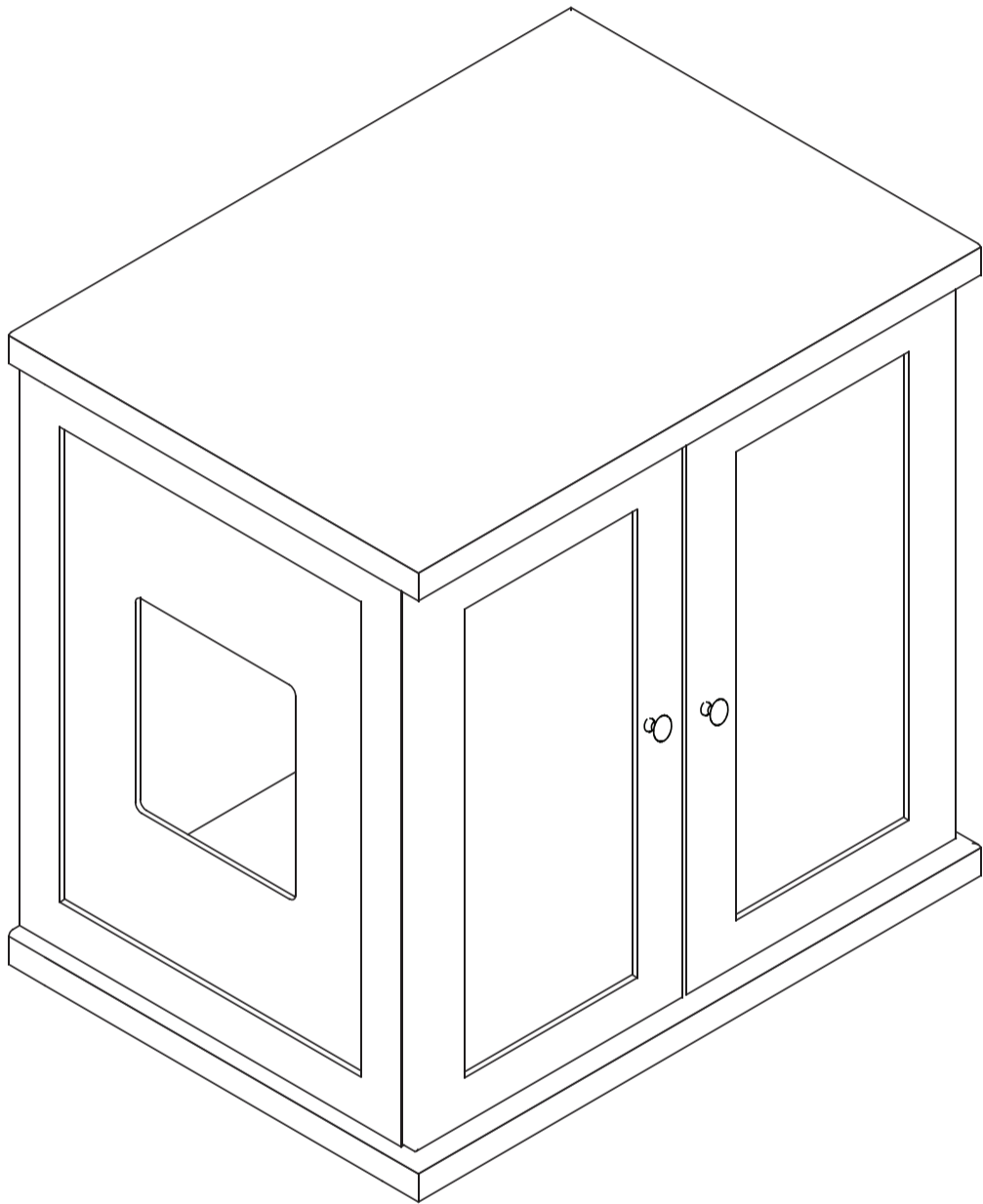




Love Your Cat.
Love Your Home.™



Refined Litter Box

Assembly Instructions
v11

For video instructions on assembling
your Refined Litter Box, visit:
TheRefinedFeline.com/assembly/
or scan QR code:



Share a photo of your cat with their new
Refined Litter Box!
Find us on Facebook or tag on Instagram:

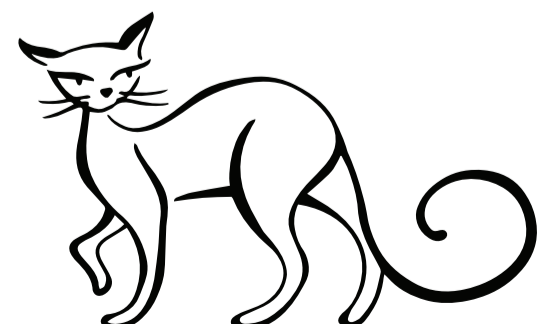
#RefinedLitterBox
@RefinedFeline



Need more help?

800-289-6136

Support@TheRefinedFeline.com



© RefinedKind Pet Products. All Rights Reserved

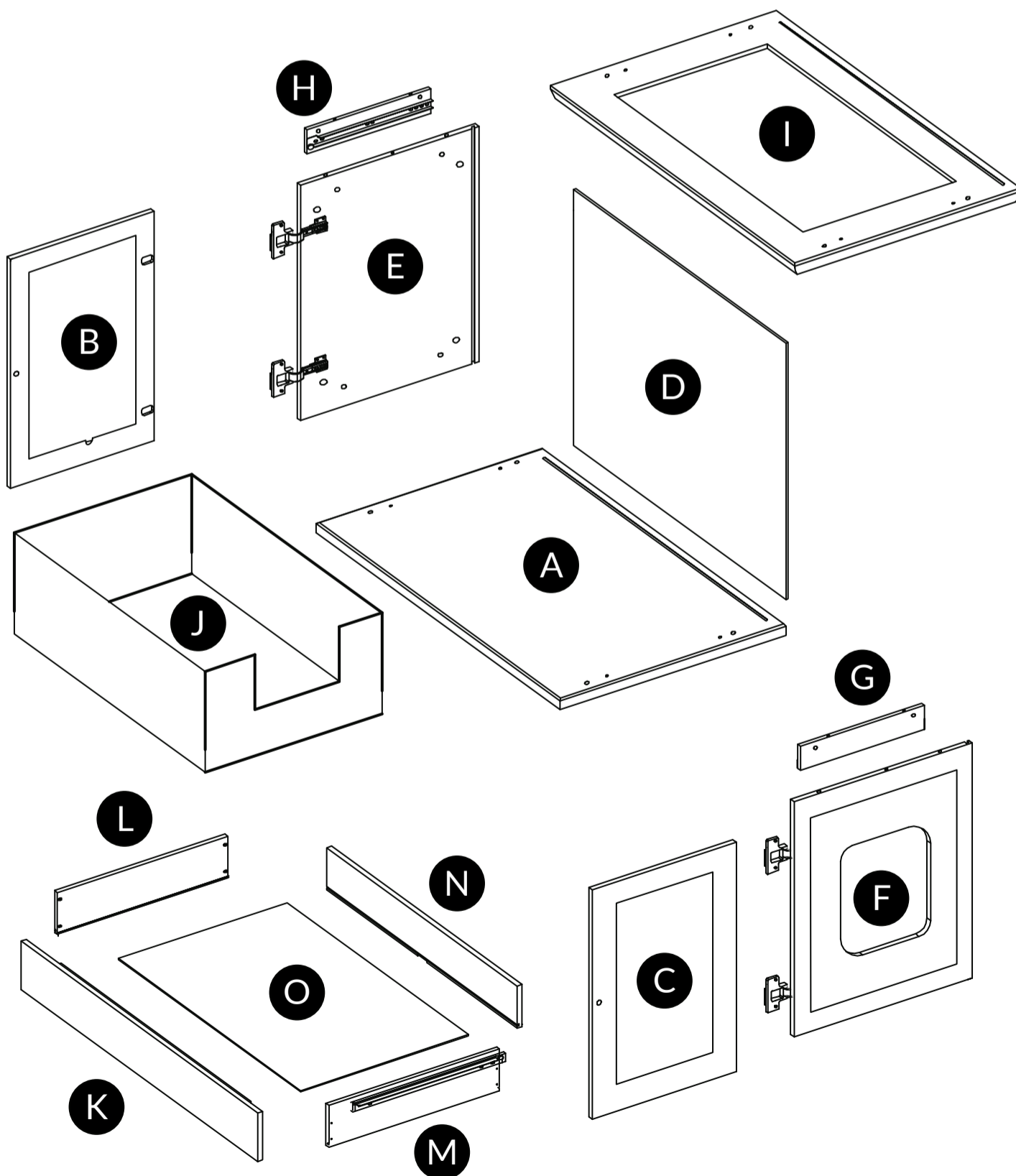


WHAT'S IN THE BOX?

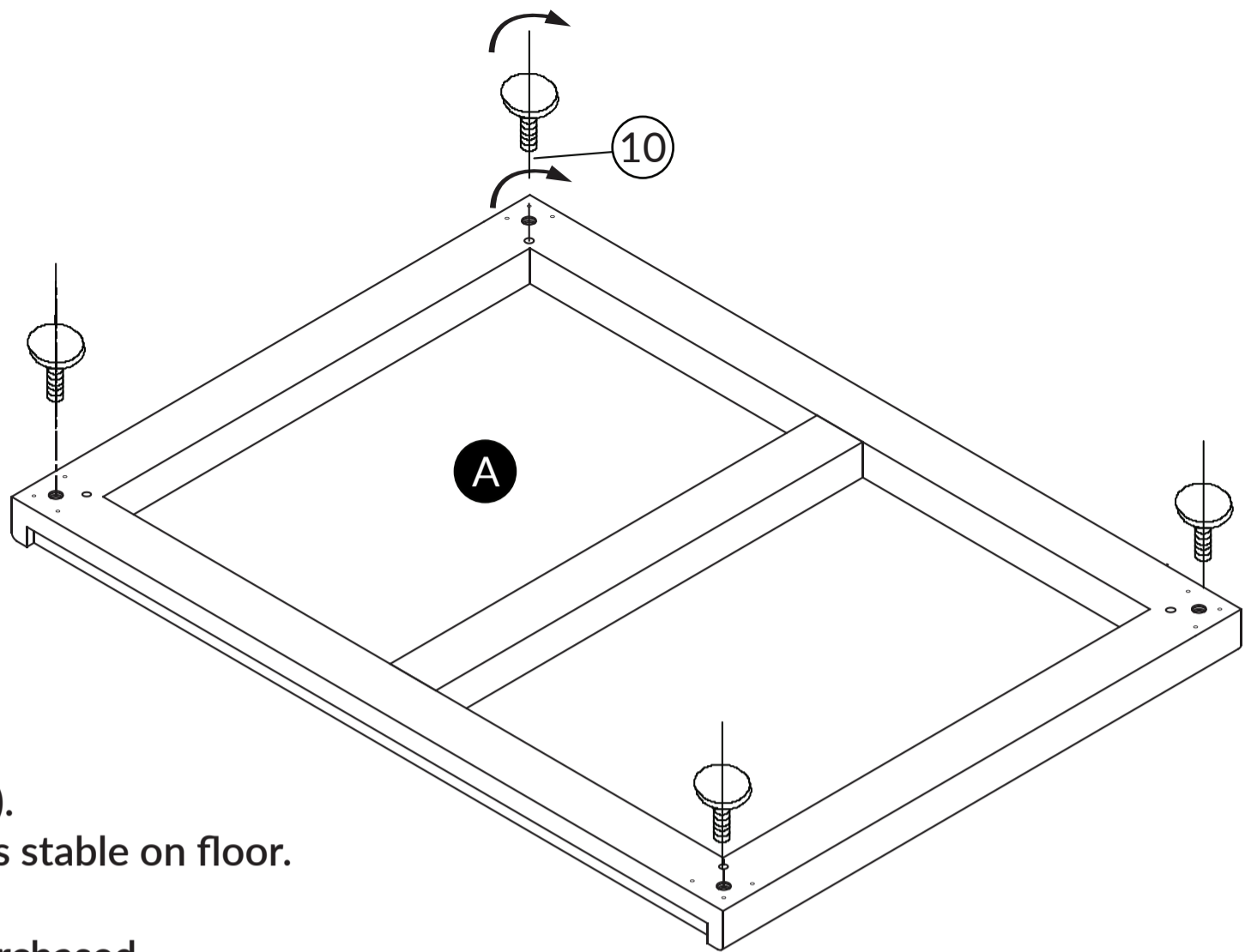
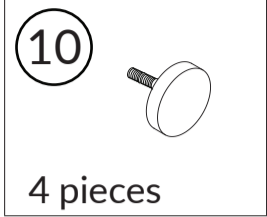
Hardware

1	2	3	4	5	6	7	8	9	10	11	12
Screwdriver	Wood Dowel Ø8x30mm 12 pieces	Machine Screw M6x30mm 4 pieces	Cam Lock Ø15x12mm 8 pieces	Cam Screw M6x40mm 8 pieces	Wood Screw 3.5x12mm 8 pieces	Door Knob 2 pieces	Machine Screw M4x28mm 2 pieces	Wood Screw M4*35mm 8 pieces	Feet Leveler M6*15mm 4 pieces	Wood Screw M7*15mm 10 pieces	Foam Pad Ø22*2mm 2 pieces

Parts



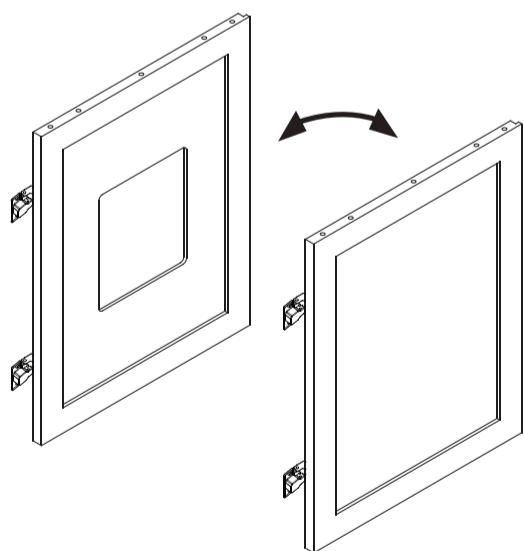
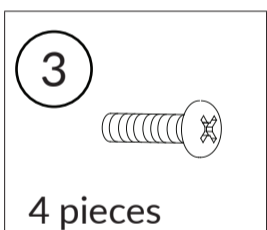
1



Install foot levelers (#10).
Adjust levelers so base is stable on floor.

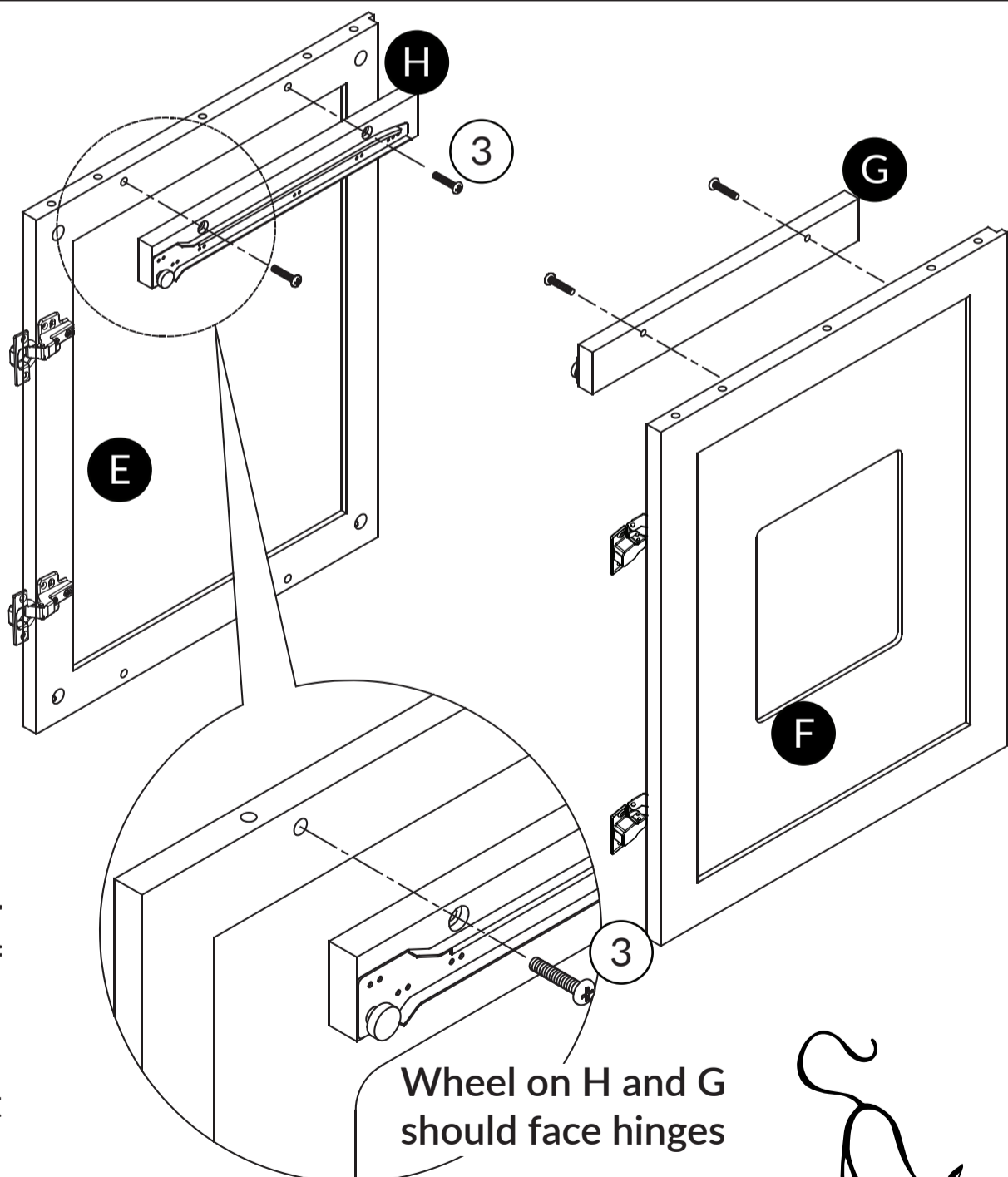
Note: If optional feet purchased,
disregard levelers and install feet.

2



Entryway can face either left or
right by switching placement of
parts E & F.

Install part H on left wall and part
G on right wall with screws (#3).



3

5

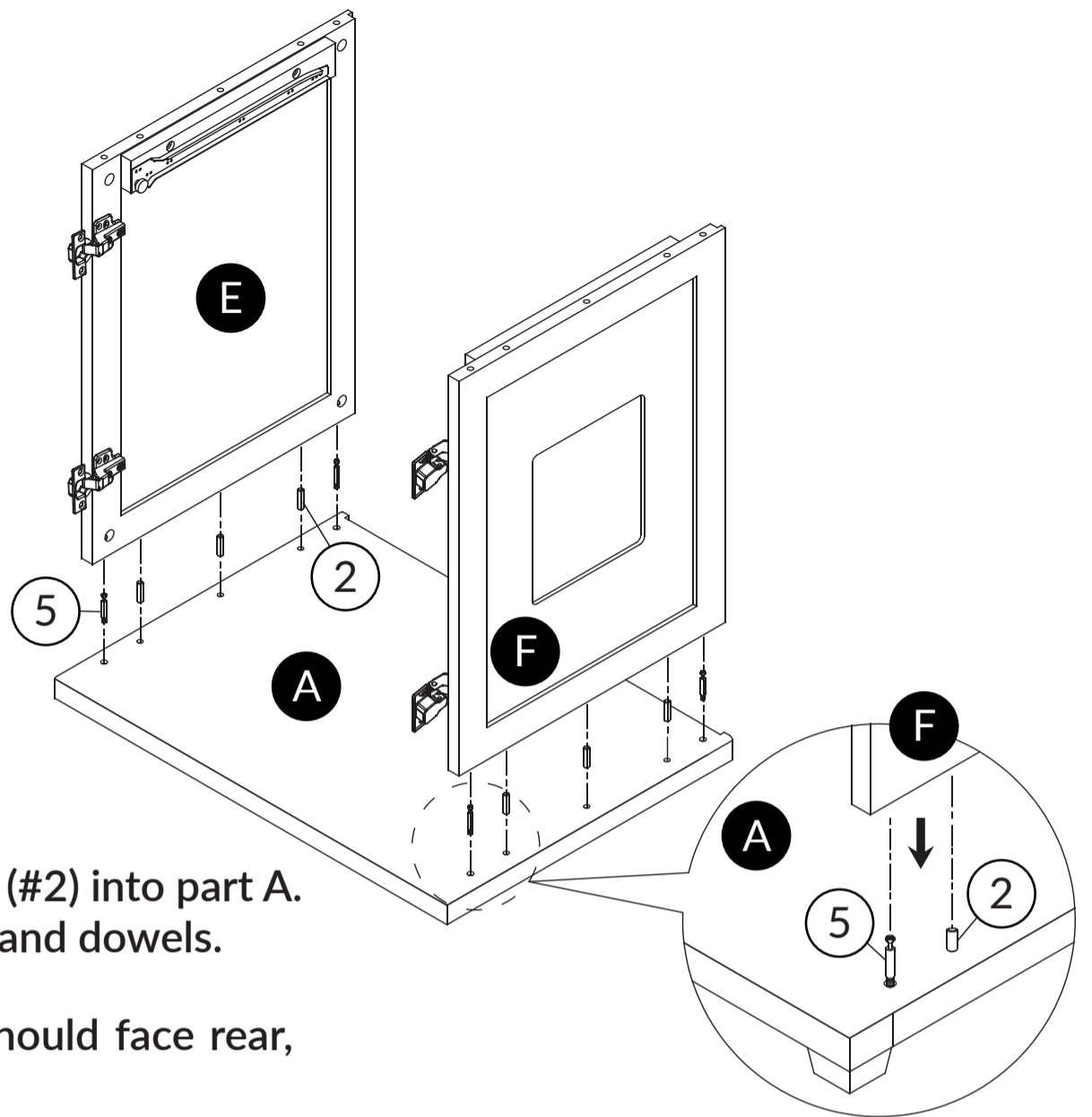


4 pieces

2



6 pieces



Install cam screws (#5) and dowels (#2) into part A. Place parts E & F over cam screws and dowels.

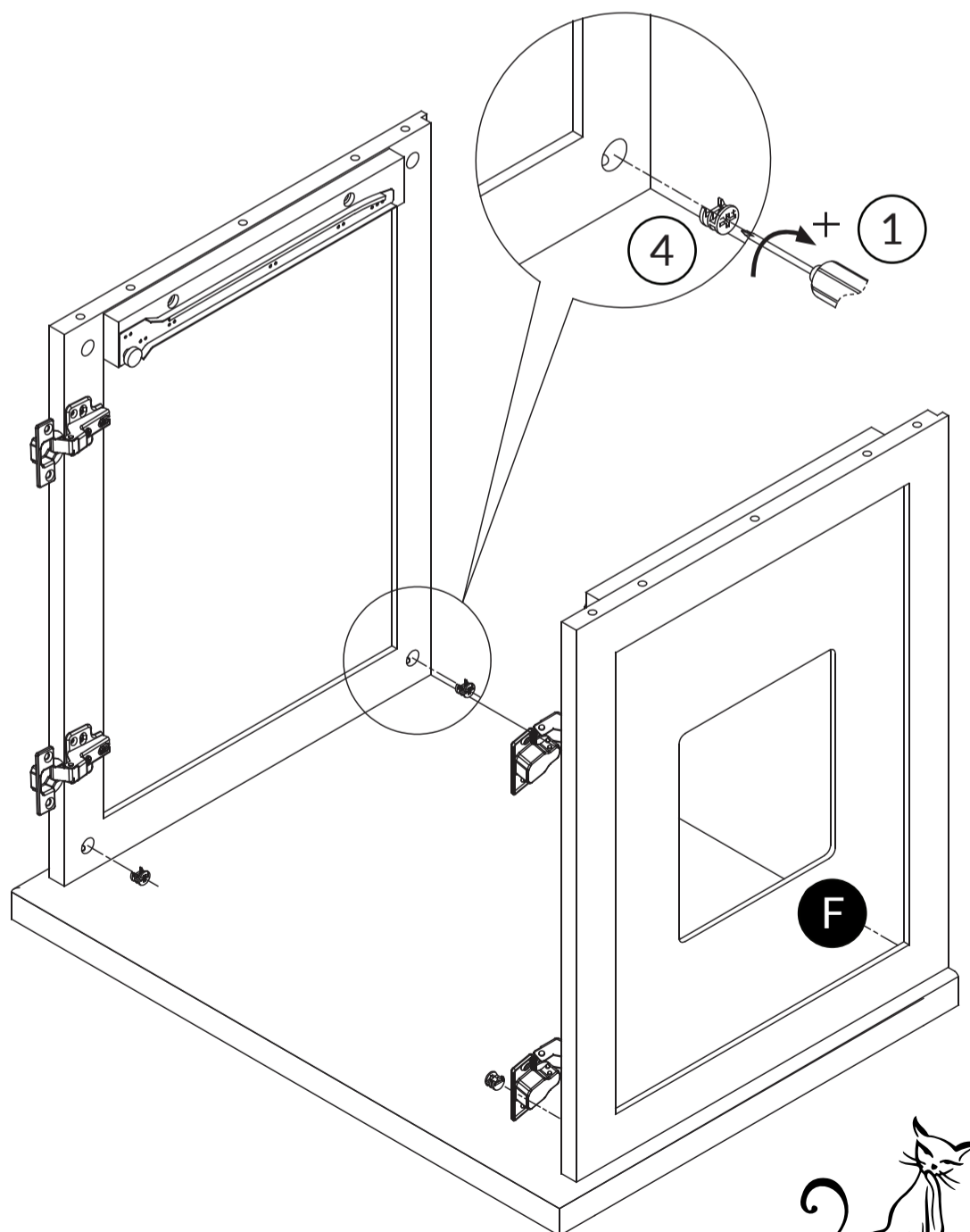
Note: Groove on back of part A should face rear, away from hinges on parts E & F.

4

4



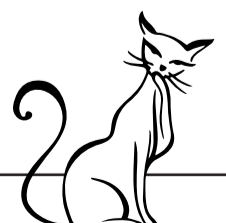
4 pieces



With arrow facing downward, insert cam locks (#4) into bottom of parts E & F then turn to lock.

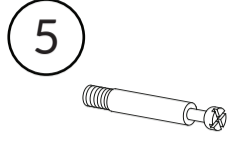
Note: Do not force! If cam lock does not turn, remove wall, turn cam screw counter clockwise so screw is higher.

See assembly video for additional assistance.

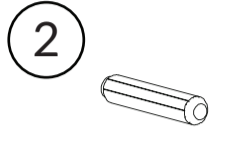


5

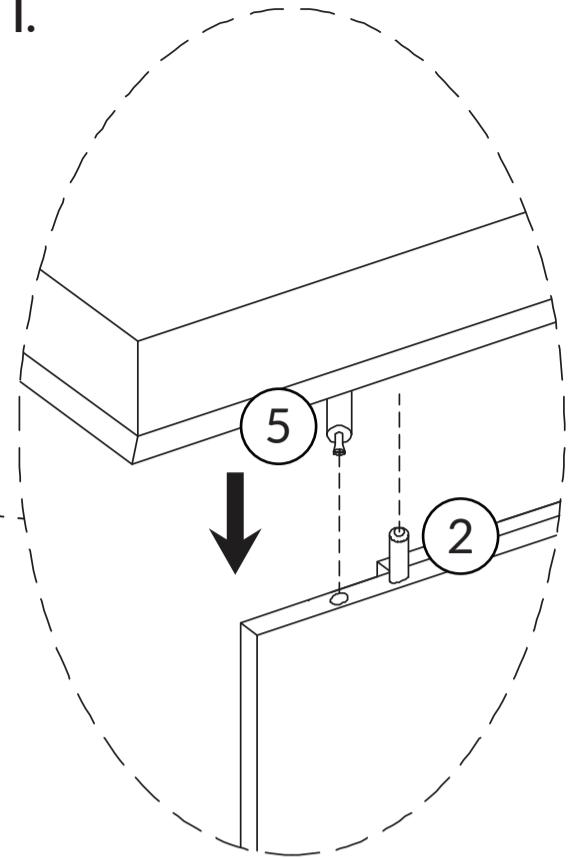
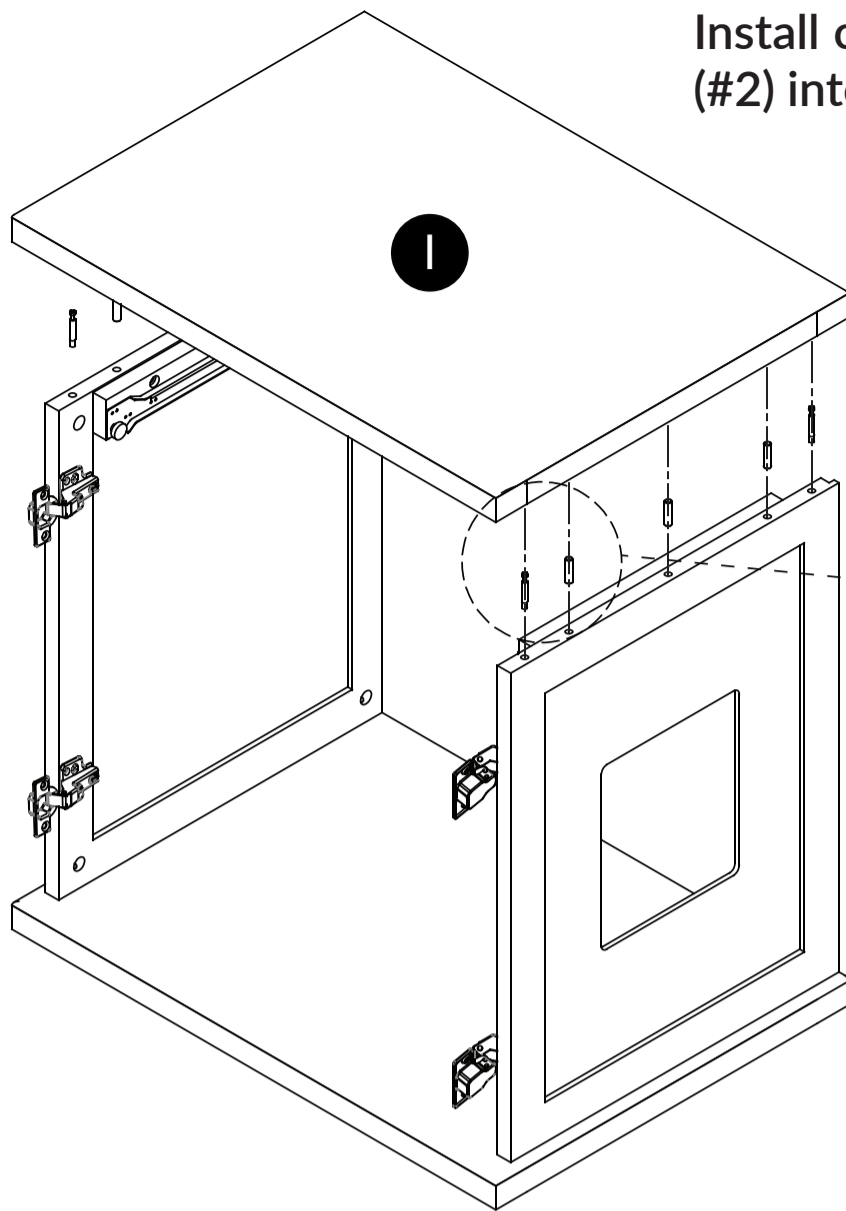
Install cam screws (#5) and dowels (#2) into part I.



4 pieces



6 pieces

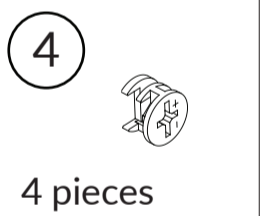


Place part I on top of walls E & F.

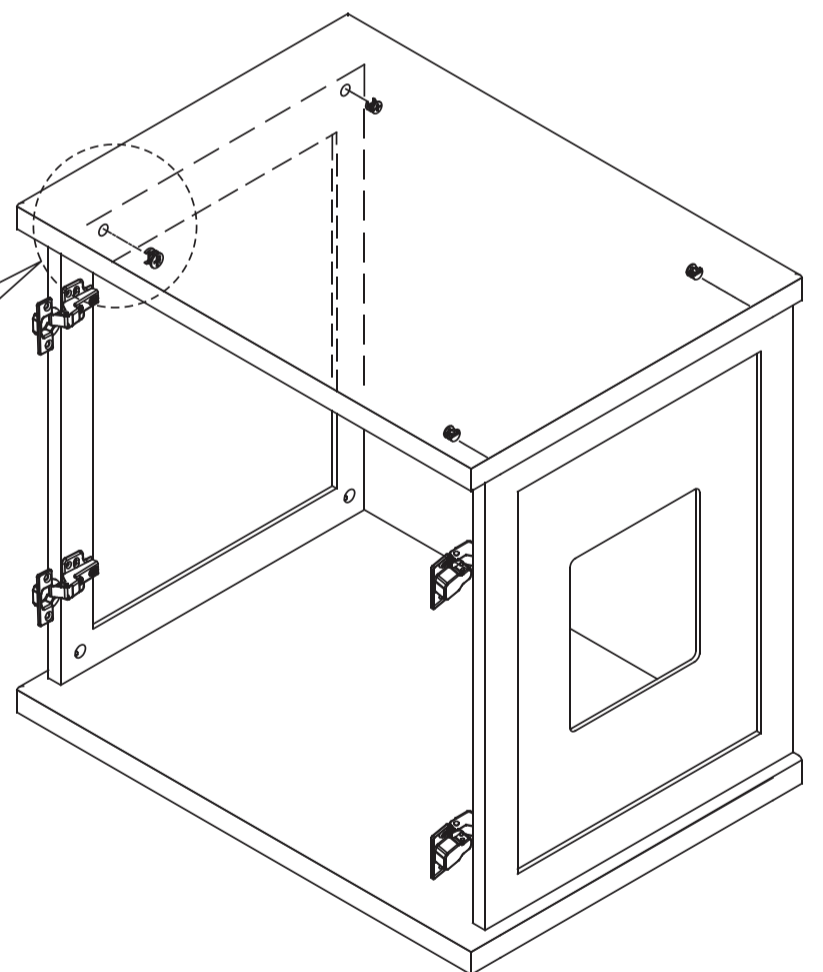
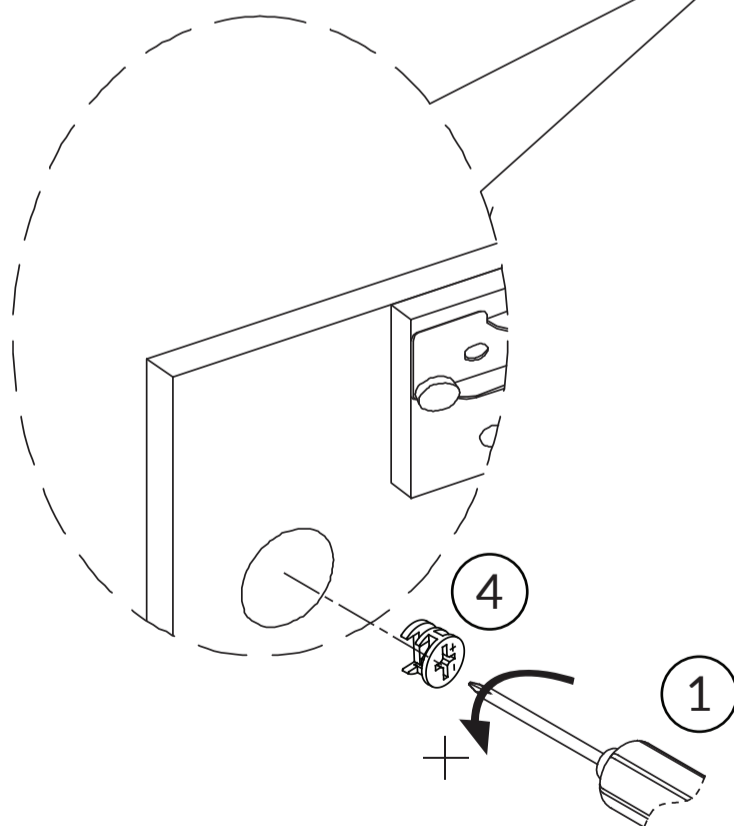
Note: Groove on back of part I should face rear, away from hinges.

6

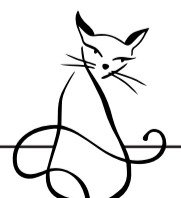
With arrow facing upward, insert cam locks (#4) into top of parts E & F then turn to lock.



4 pieces

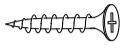


Note: Do not force! If cam lock does not turn, remove wall, turn cam screw counter clockwise so screw is higher. See assembly video for additional assistance.

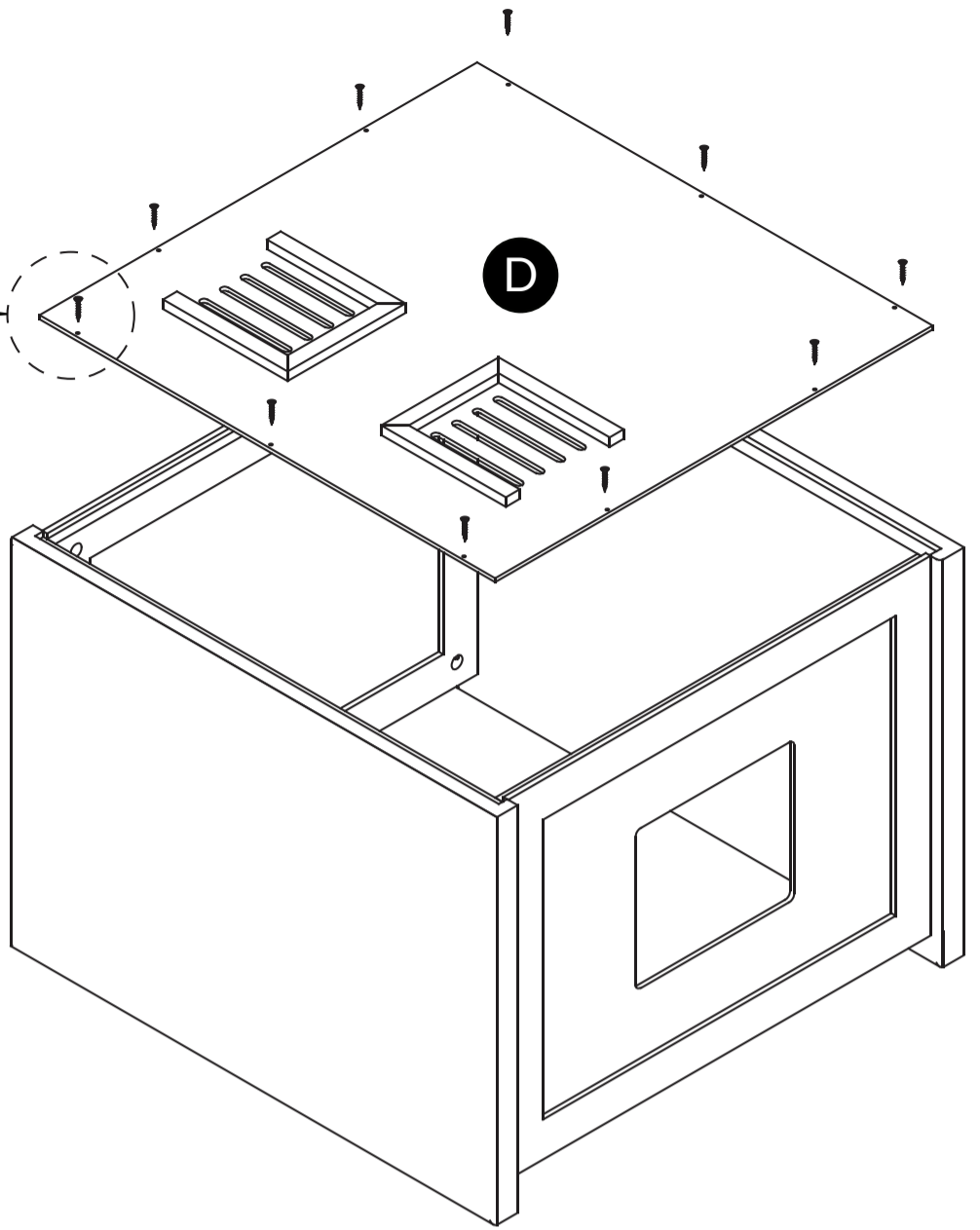
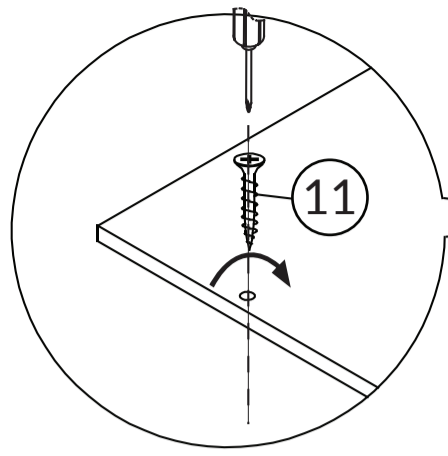


7

11



10 pieces



Carefully lay on its side. Place part D into grooves and secure with screws (#11)

A slight bend in part D is normal.

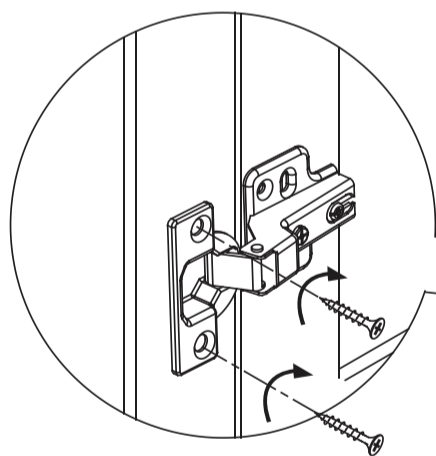
Note: Carbon odor filters available at TheRefinedFeline.com

8

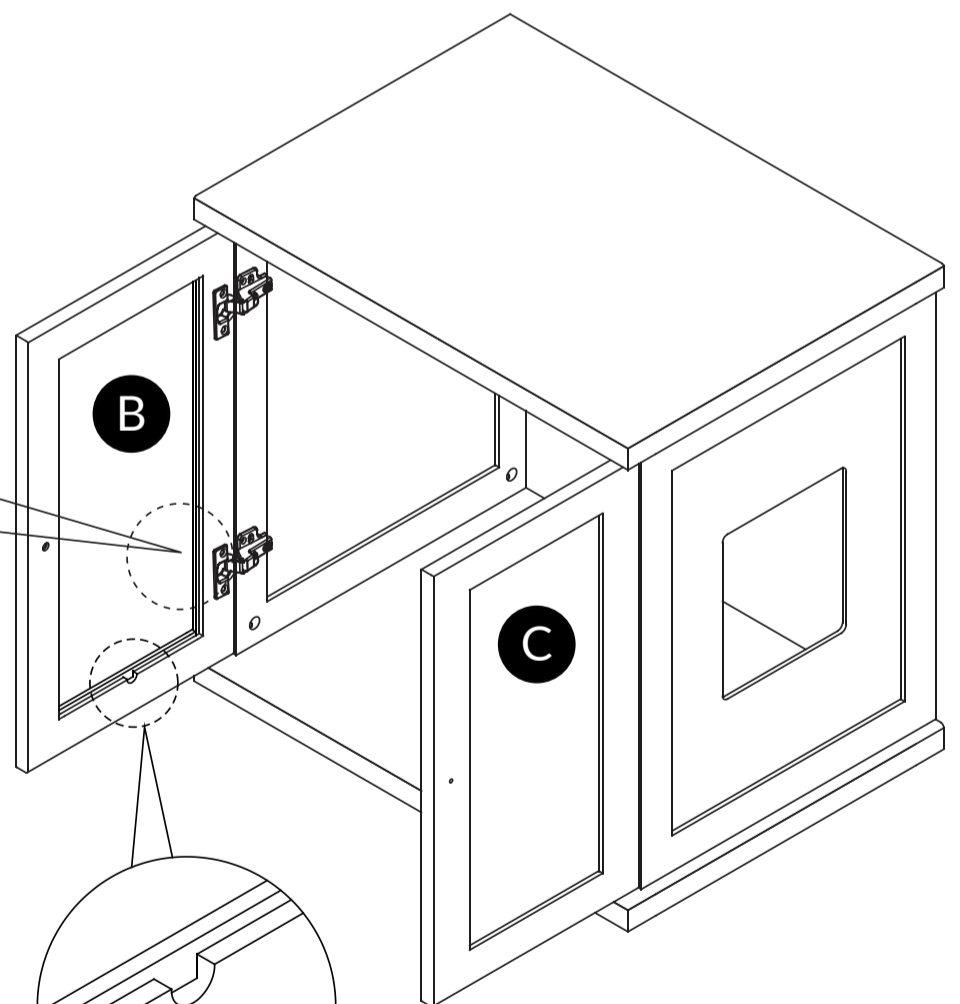
6



8 piece



Repeat on other side



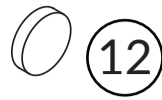
Attach doors B & C using screws (#6). Notch on back indicates bottom of the door. Insert all screws first before tightening.

Note: Doors unaligned? See page 11 for tips.



9

Attach foam pad (#12) to top corner of each door



12



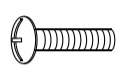
2 pieces

7



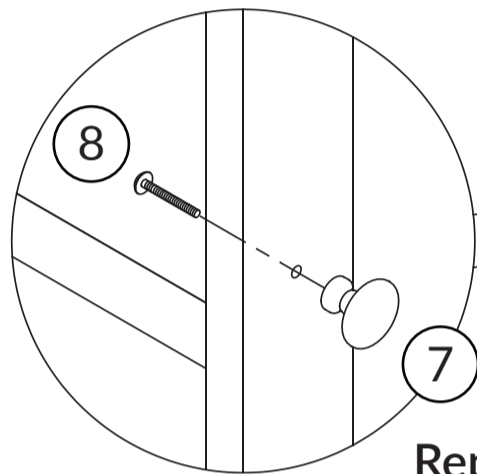
2 pieces

8

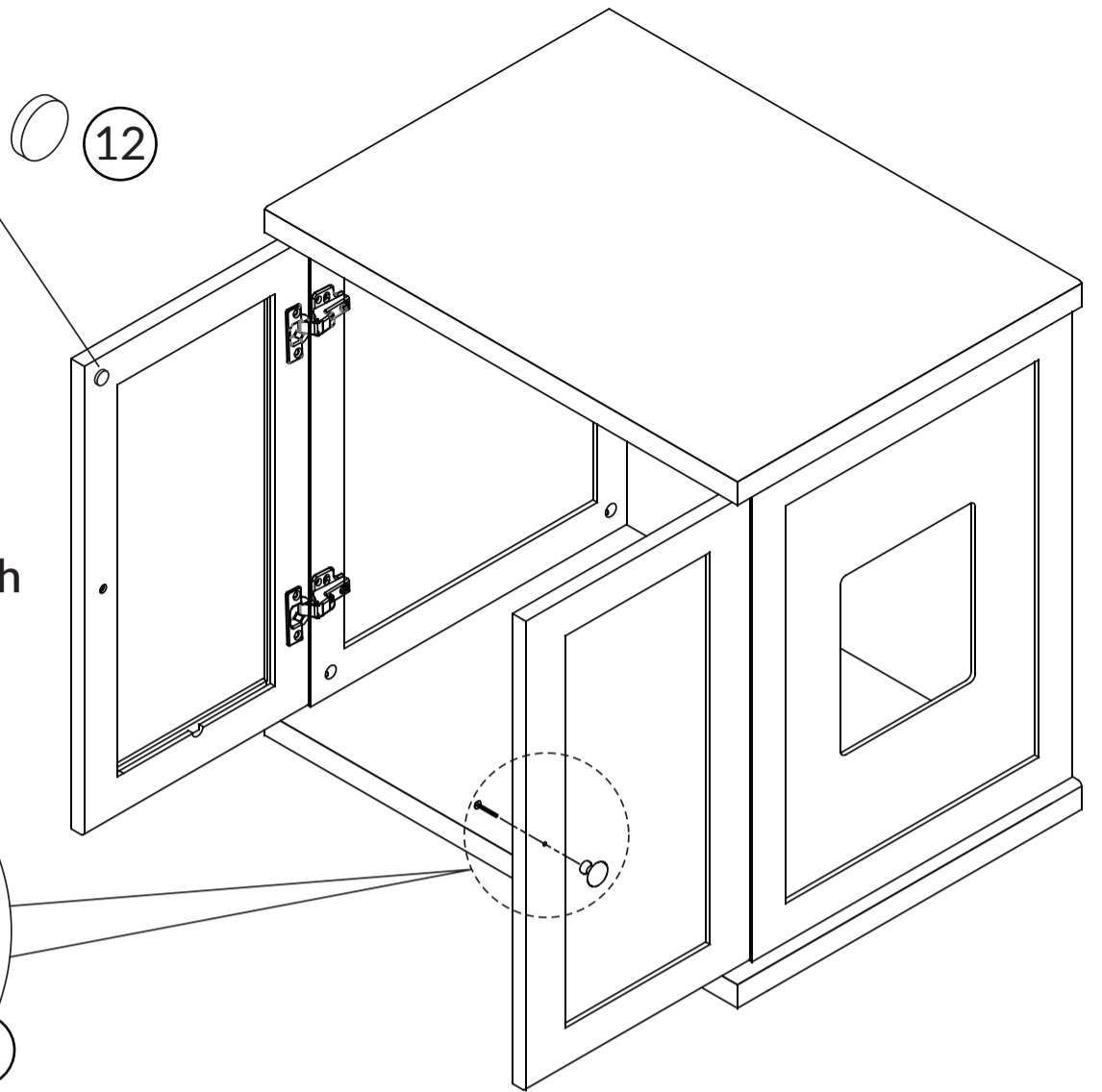


2 pieces

Install door knob (#7) with screw (#8) to each door

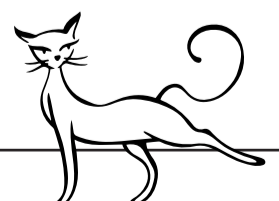
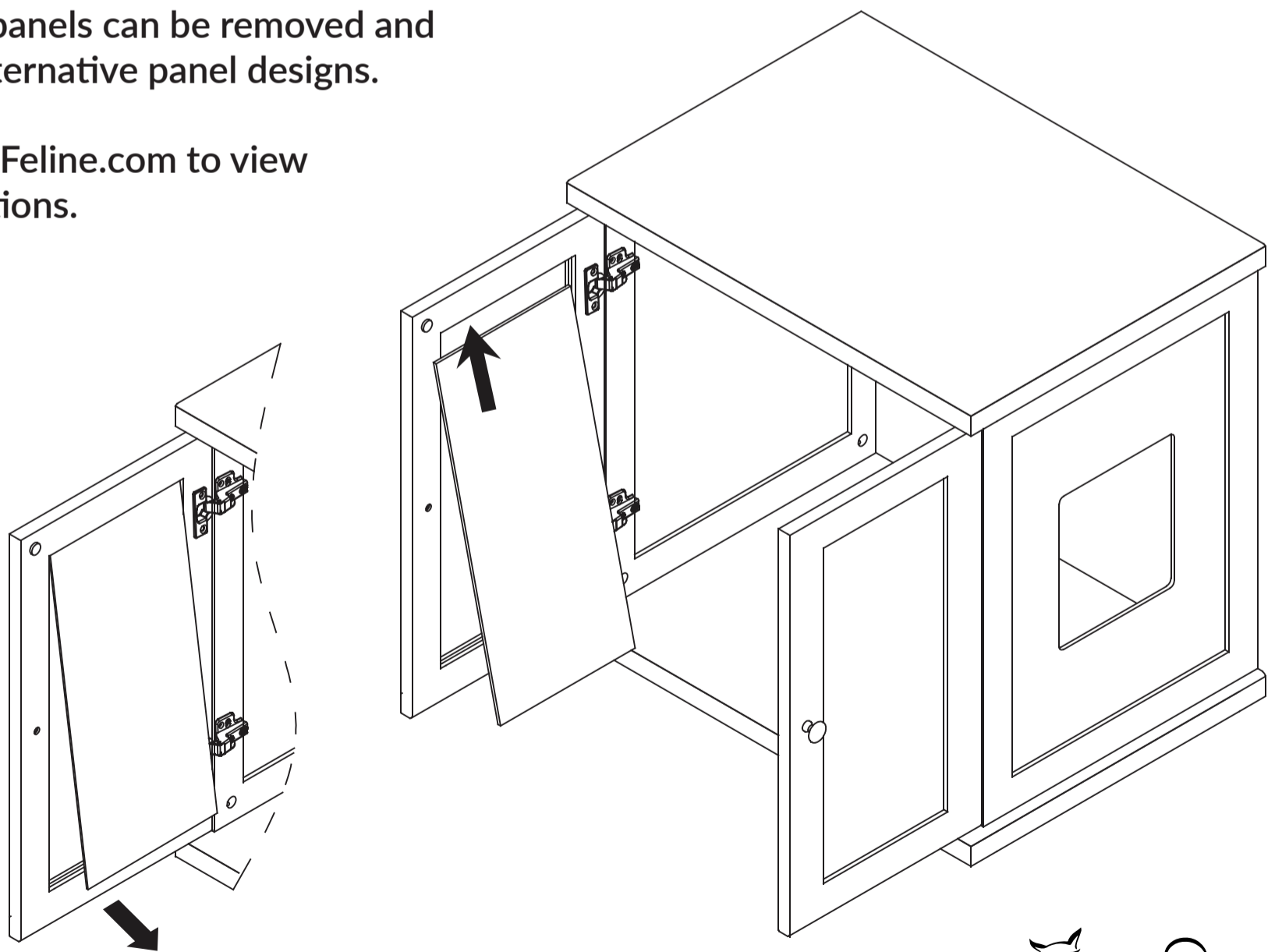


Repeat step for door B

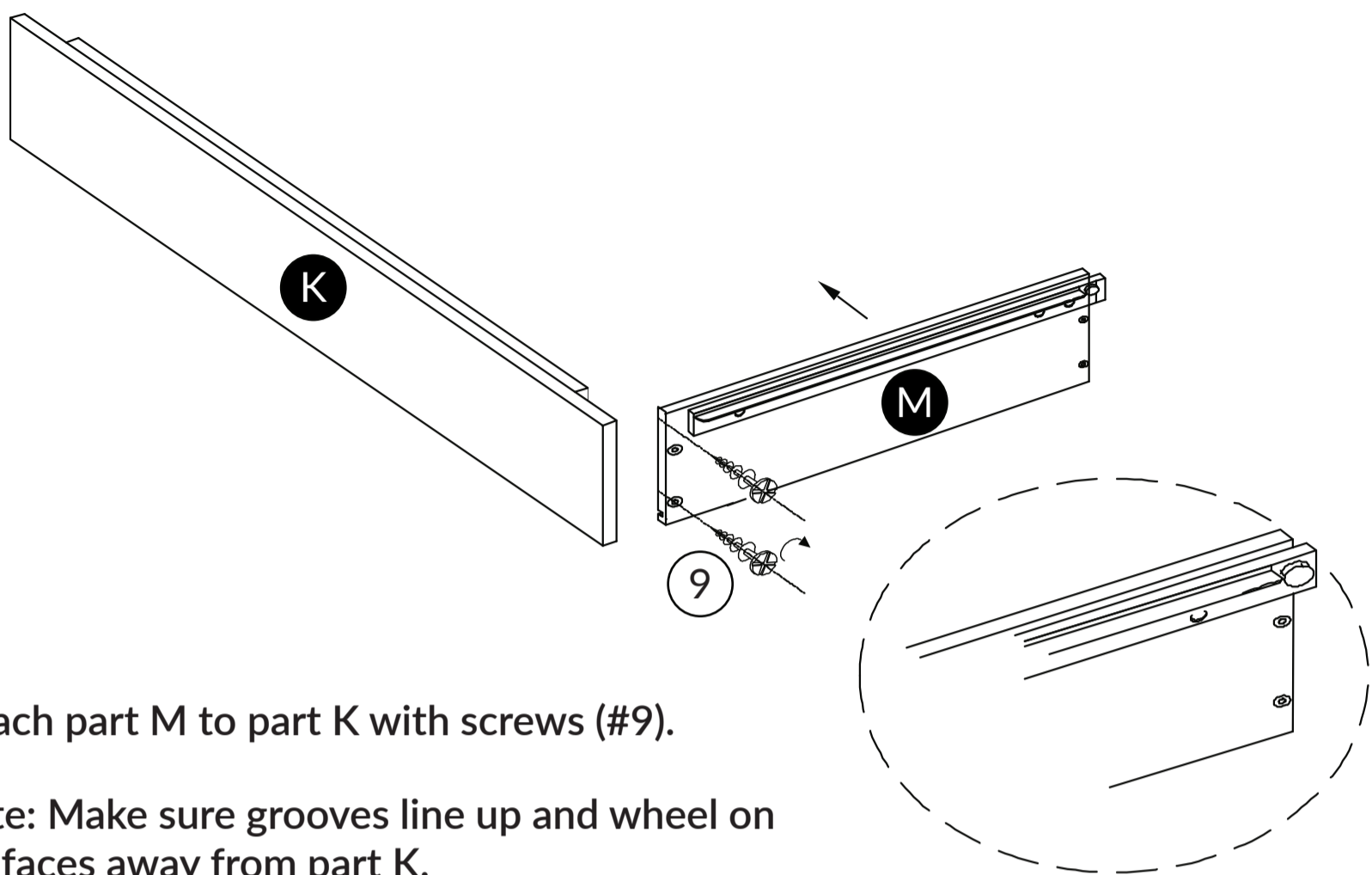
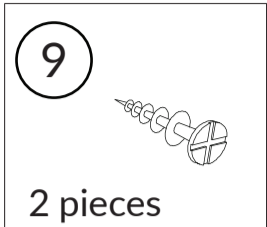


Note: Standard panels can be removed and replaced with alternative panel designs.

Visit TheRefinedFeline.com to view panel design options.



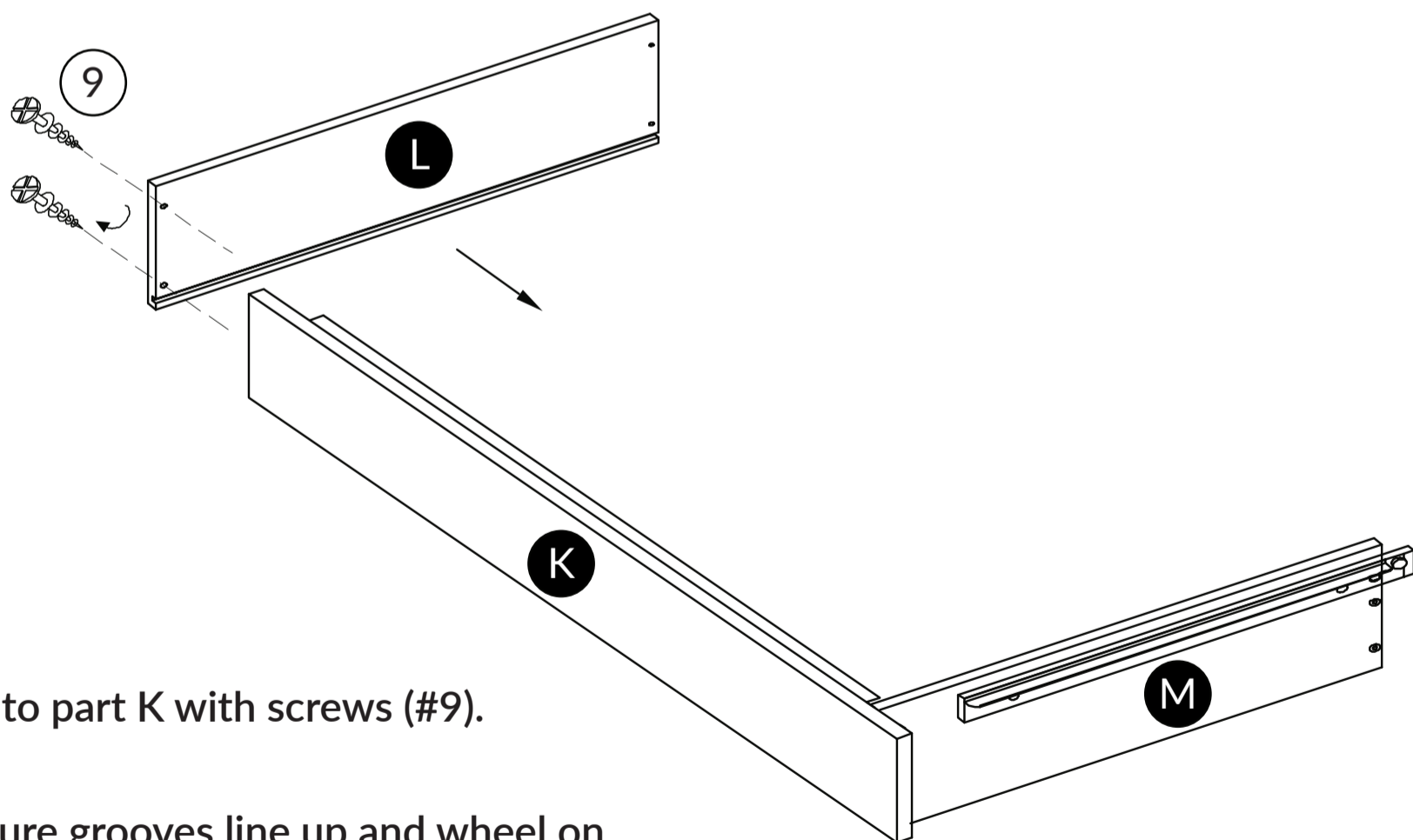
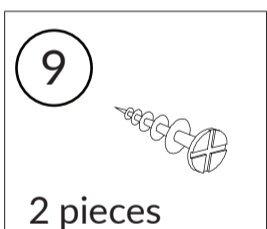
10



Attach part M to part K with screws (#9).

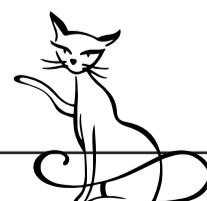
Note: Make sure grooves line up and wheel on rail faces away from part K.

11



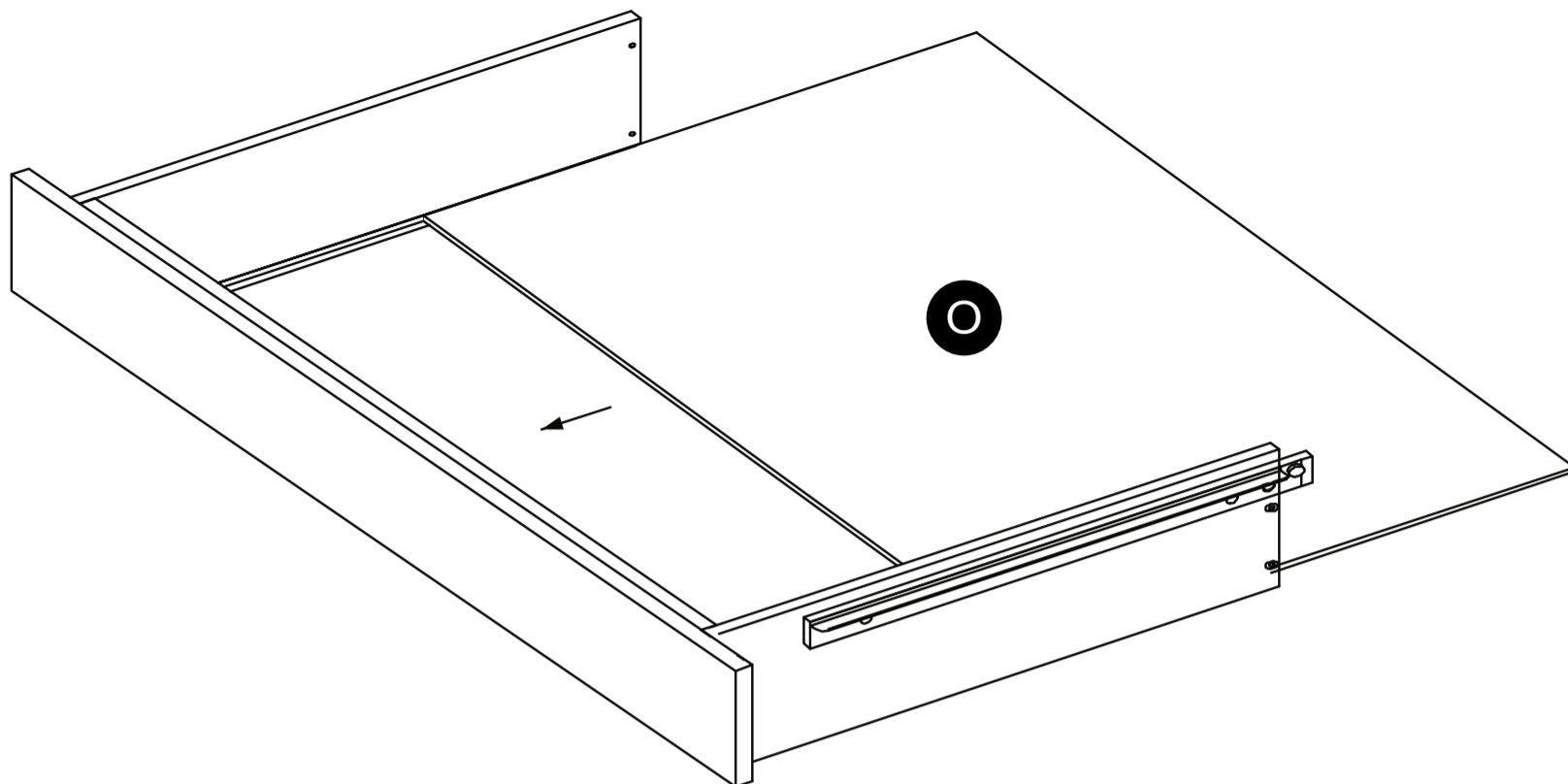
Attach part L to part K with screws (#9).

Note: Make sure grooves line up and wheel on rail faces away from part K.



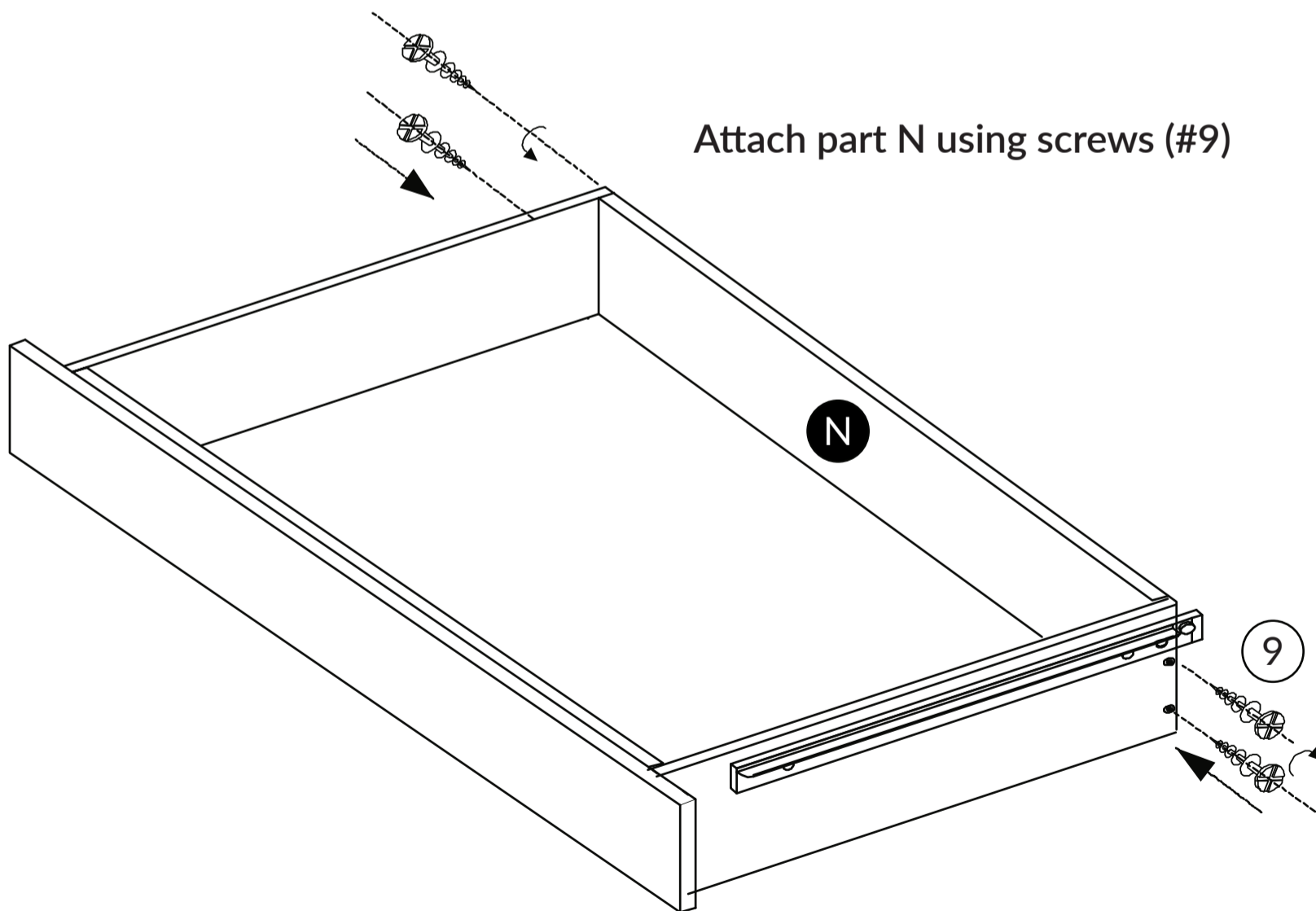
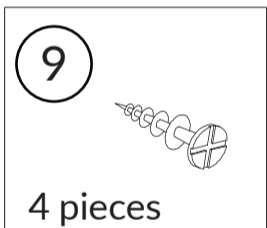
12

Slide part O into grooves



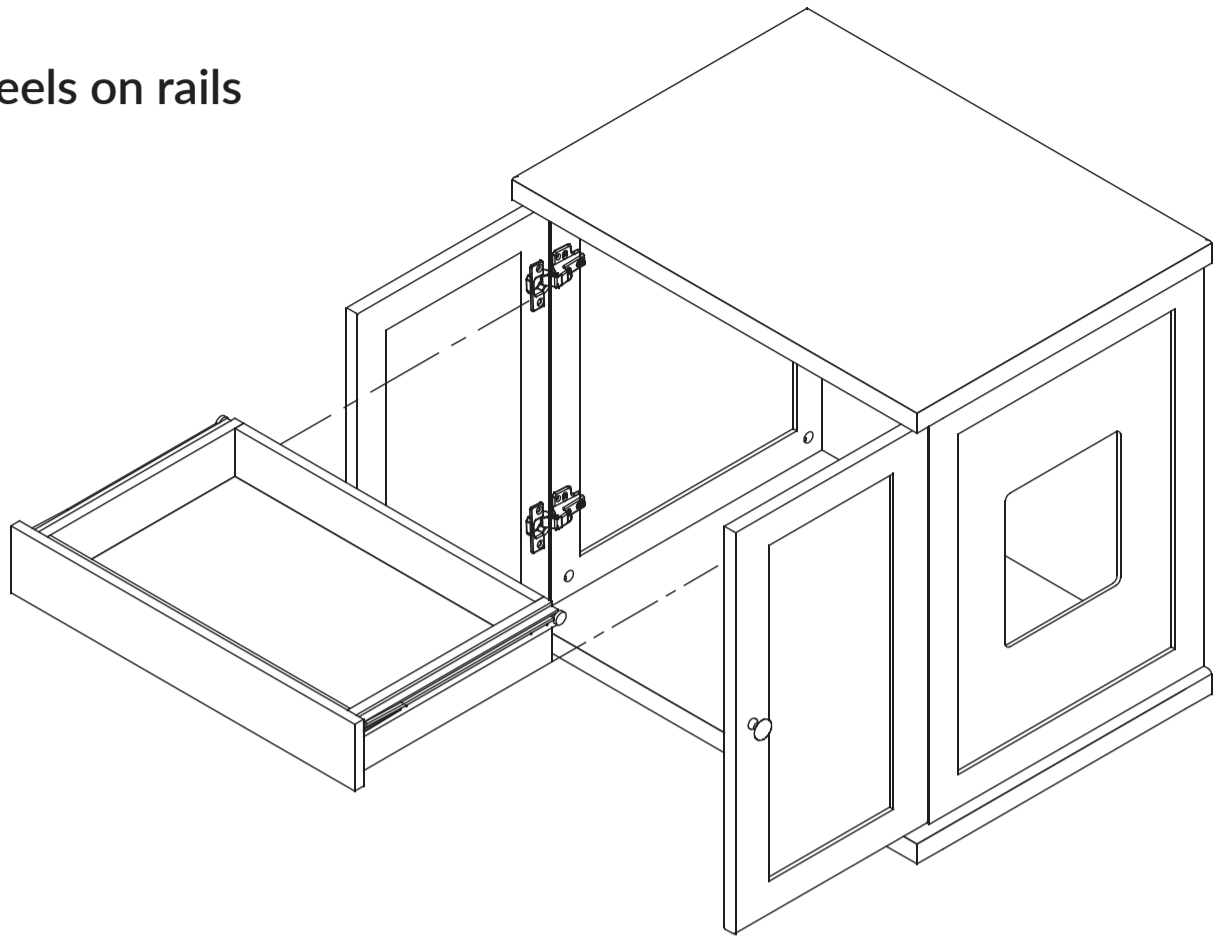
13

Attach part N using screws (#9)



14

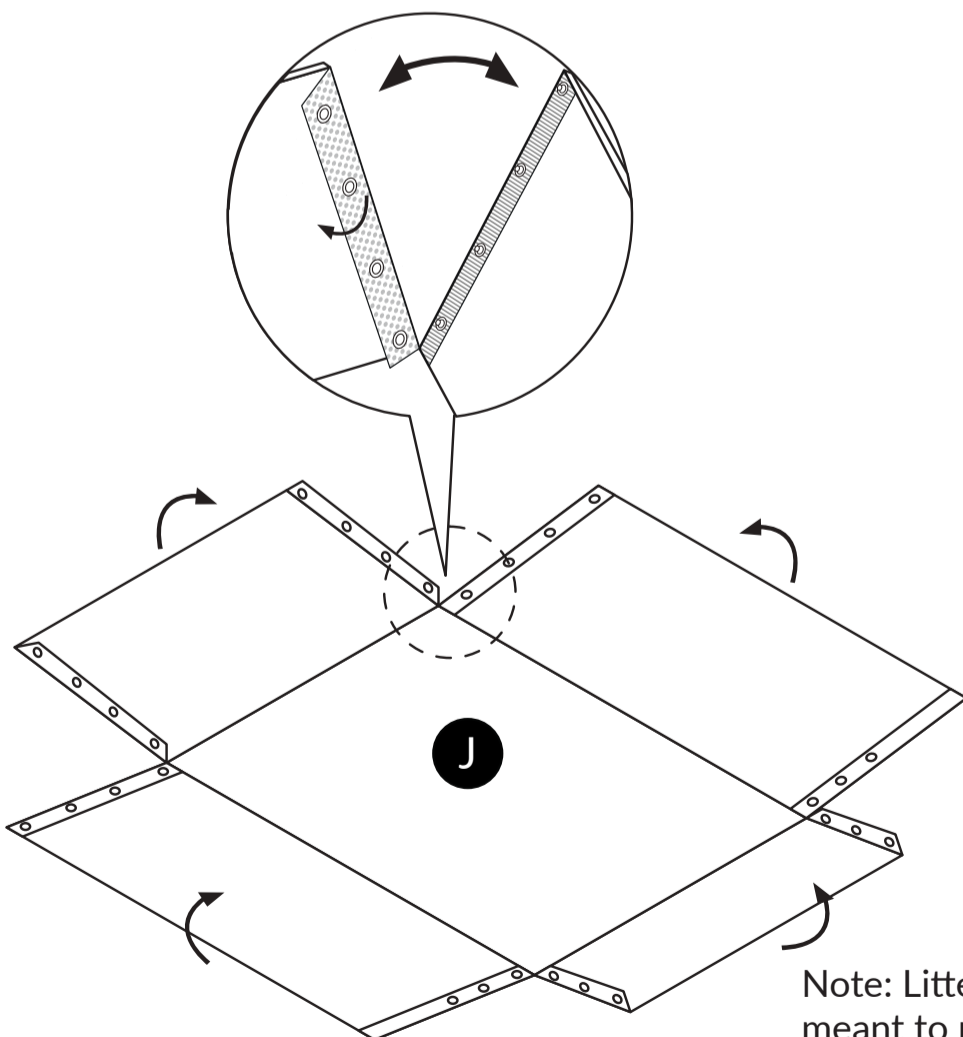
Slide drawer over wheels on rails inside litter box.



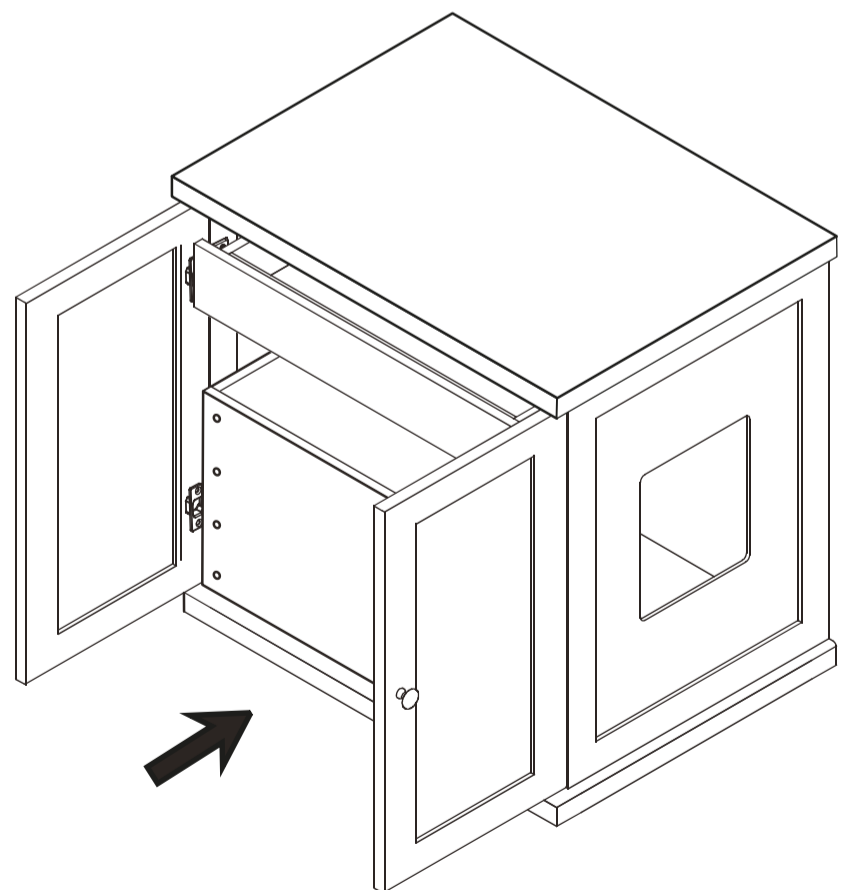
15

Fold tabs of short side of litter liner inward, then attach to velcro strip of long side. Repeat for each corner, then slide inside cabinet.

Assembly Complete. Enjoy!



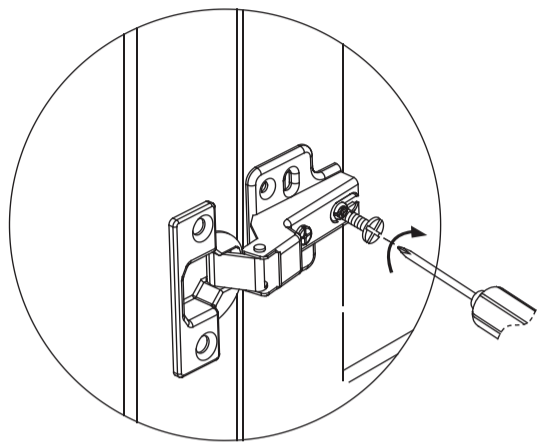
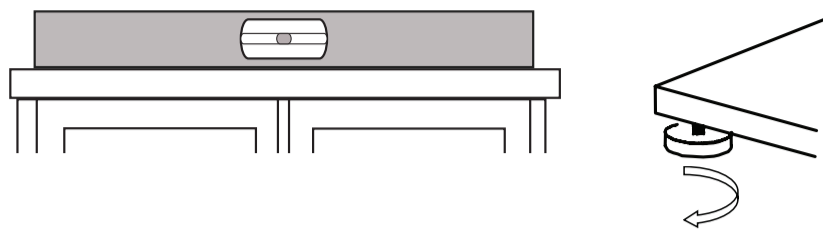
Note: Litter liner not meant to replace litter pan



Door Alignment Tips

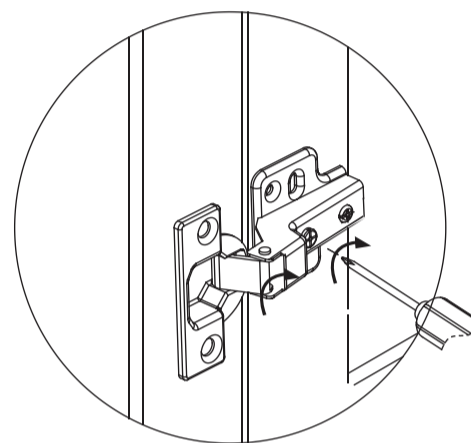
See assembly video for additional assistance.

1) Make sure litter box is level.
Turn levelers on bottom to adjust.



2) If doors fails to close flush, turn screw on rear of hinge to loosen. Adjust doors and retighten screw.

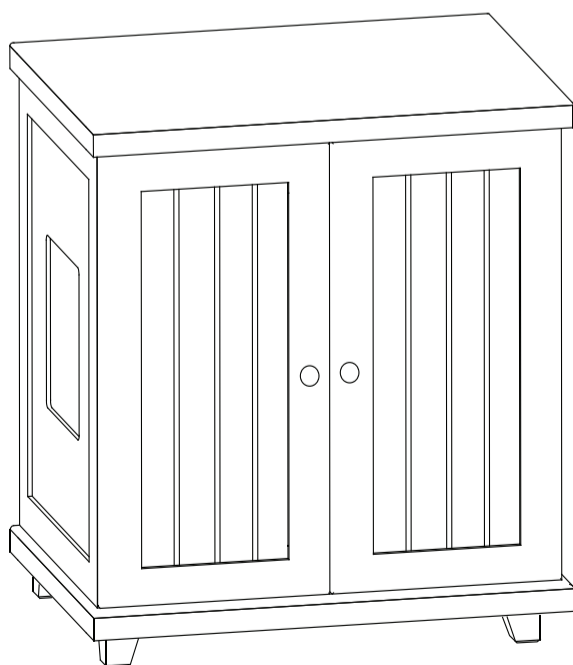
3) If doors are askew, turn middle screw on each hinge as needed until doors align.



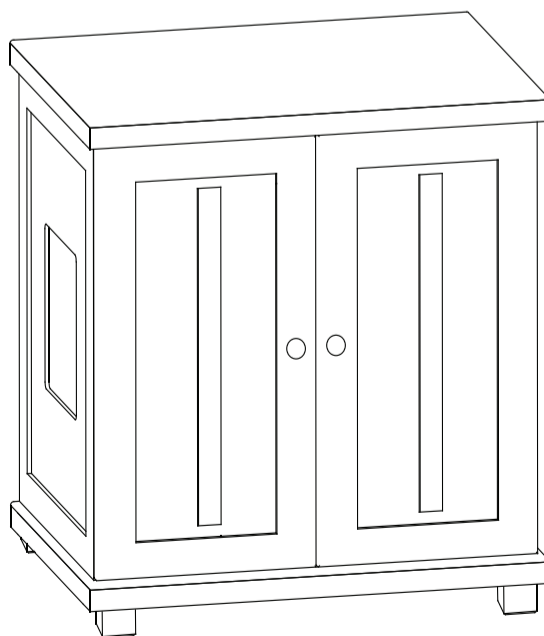
Customize your Refined Litter Box

Your Refined Litter Box can be customized to your the style of your home's decor. Choose from various panel and feet options.

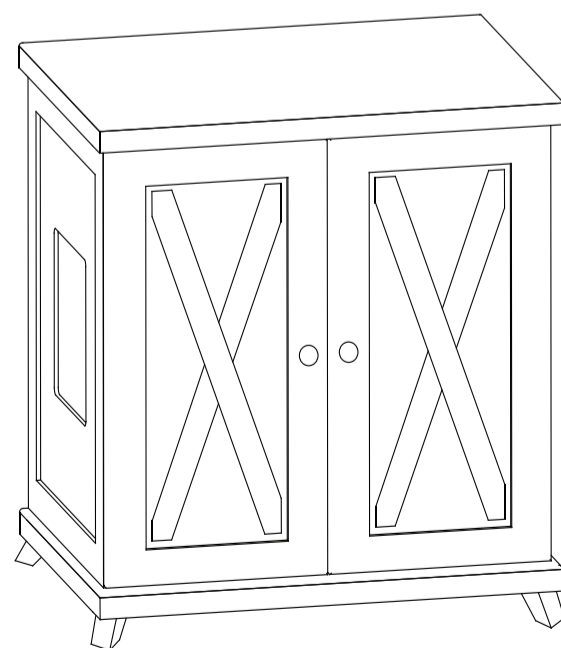
Visit TheRefinedFeline.com to review these options and more.



Cottage Style with Tapered Feet



Shaker Style with Square Feet



Farmhouse Style with Mid-Century Modern Feet

About The Refined Feline

The Refined Feline's mission is to bring modern, innovative designs to cat furniture. We strive to reinvent how people view the products that they and their feline companions use in their shared space. All our cat trees, cat wall shelves, cat beds, and litter box furniture are thoughtfully crafted to be the best they can be for you, your home, and your cats. Our team of dedicated cat lovers believes that cat furniture should be embraced and admired as an integral part of your home, just like your cat.

Our cat furniture is about much more than just looking great in your home though; functionality is just as important. Our multipurpose and customizable cat furniture features replaceable parts so that you can always keep it looking fresh. We knew that cat furniture could be better, so we raised the standards. As we say at The Refined Feline: Love Your Cat. Love Your Home.

Warranty

We offer consumers a 6-month limited warranty. Warranty covers manufacturer defect and not wear and tear. Consumers may be responsible for shipping cost of returning the product. Please contact Customer Service for an RMA# at (800) 289-6136 or support@therefinedfeline.com.

Have questions?

800-289-6136

Support@TheRefinedFeline.com

For video instructions on
assembling your Refined Litter Box,
Visit: TheRefinedFeline.com/assembly/
or scan QR code:



Share a photo of your cat with
their new Refined Litter Box!

Find us on Facebook or tag on
Instagram:
#RefinedLitterBox
@RefinedFeline

